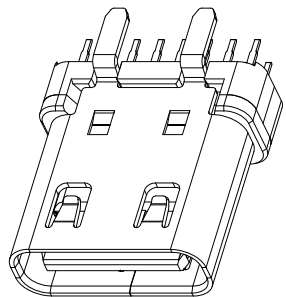


REV.	ECN NO.	LOCATIONS	DESCRIPTION	DATE	DESIGN
A0			NEW RELEASE	05/08'23	Sun

### 3D VIEW



#### ORDERING INFORMATION

**MCCFT - YV1D1 (XX T)**

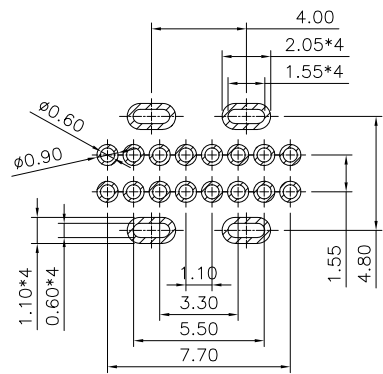
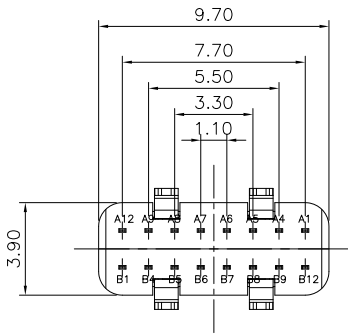
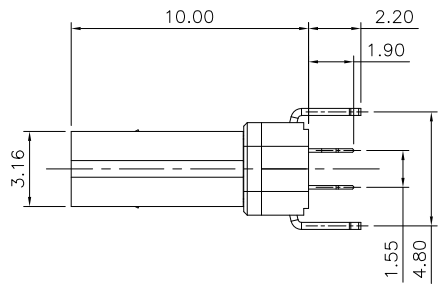
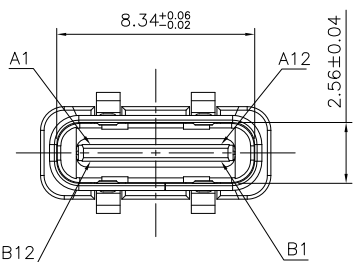
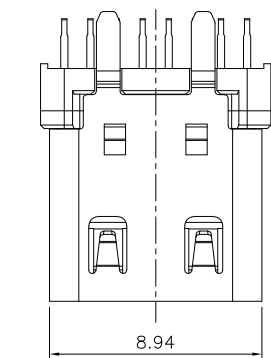
① ② ③

- ① **PRODUCT SERIES:**  
 USB C TYPE connector –  
 Receptacle (Female) side.
- ② **ITEM NO.:**  
 Vertical– DIP 16pin with 4DIP  
 Stacking Height 10.00mm.

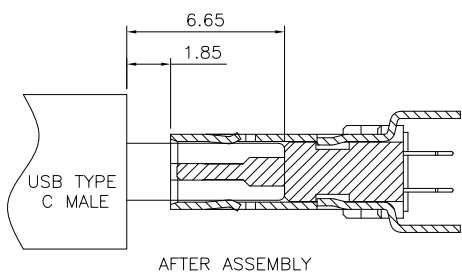
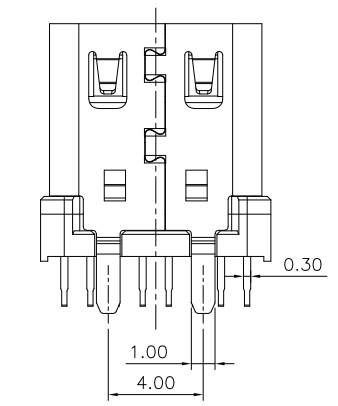
**CUSTOMER DRAWING**

**RoHS Compliant**

③ **GOLD PLATING :**  
 01: G/F.



RECOMMENDED P.C.B. LAYOUT  
 GENERAL TOLERANCE:±0.05mm



#### NOTES:

- MATERIAL:**
  - HOUSING: HIGH TEMP plastic, UL94 V-0.
  - CONTACT: COPPER ALLOY
  - MID PLATE: STAINLESS STEEL.
  - SHELL: STAINLESS STEEL.
- PLATED:**
  - CONTACT: GOLD ON CONTACT AREA OVER NICKEL PLEATED OVERALL.
  - SHELL: NICKEL PLATED OVER ALL.
  - MID PLATE: CLEAR ONLY

#### PIN ASSIGNMENTS

PIN NO.	A1	A4	A5	A6	A7	A8	A9	A12
SIGNAL NAME	GND	VBUS	CC1	Dp1	Dn1	SBU1	VBUS	GND
PIN NO.	B12	B9	B8	B7	B6	B5	B4	B1
SIGNAL NAME	GND	VBUS	SBU2	Dn2	Dp2	CC2	VBUS	GND

DIM	TOL
X.X	±0.30
X.XX	±0.20
X.XXX	±0.10

SUNFUN		SUNFUN TECHNOLOGY LTD			
DRAW NO.	MCCFT-YV1D1(A0)	DATE	05/08'23	MATERIAL:	SEE NOTES
DESIGN:	Sun	DATE	05/08'23	FINISH:	SEE NOTES
CHECK:	Sun	DATE	05/08'23	FILE:	MCCFT-YV1D1(A0)
REVIEW:	Rui	DATE	05/08'23	P/N:	MCCFT-YV1D1(XXT)
APPROVED	Rui	DATE	05/08'23	REV.	A0
		SCALE			
DRAW NAME:		USB C Type CONN - FEMALE Vertical- DIP 16pin(W/4DIP), 10.00H			
MODEL:		USB C TYPE CONN			
UNIT:	mm	SHEET:	1/1		